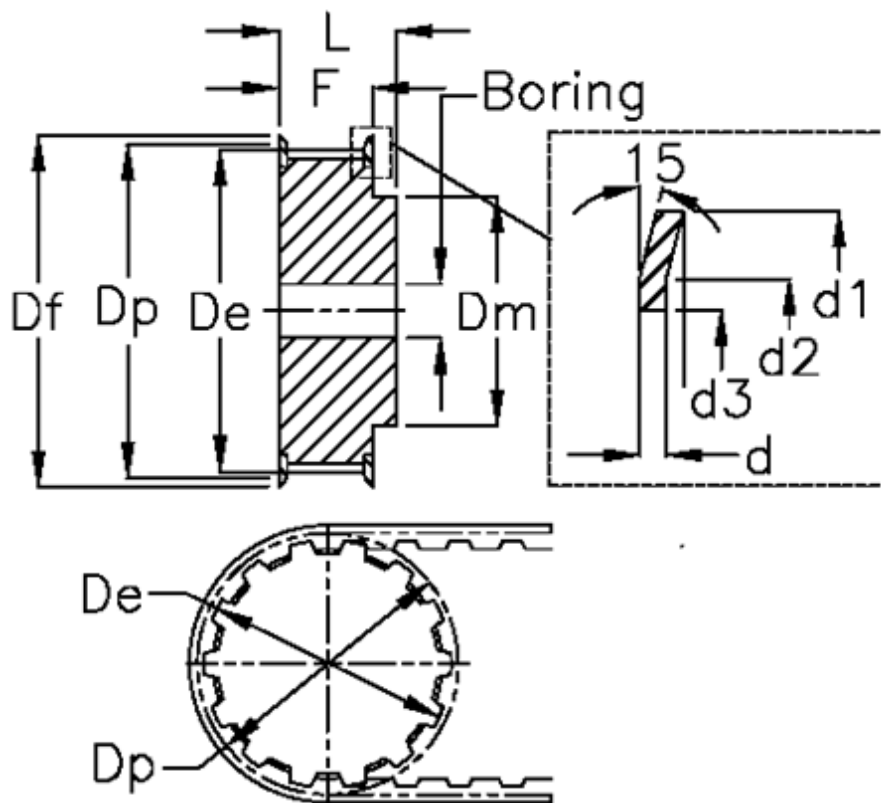


Article number: 604140032009

Description: Timing belt pulley with hub
HTD 32 3M 9

Measures



Bore = 6	Dp	= 30.56
d = 0.5	F	= 12.8
d1 = 36	Flange type	= F12
d2 = 31	L	= 20.6
d3 = 25	Tooth number	= 32
De = 29.8	Type	= 3M
Df = 36	Weight	= 0.032
Dm = 22	Width	= 09